



555 Oak Street East
North Bay, Ontario
P1B 8L3

555, rue Oak Est
North Bay (Ontario)
P1B 8L3

Tel: 1-800-363-7512
www.ontarionorthland.ca

April 30, 2026

Addendum No. 01

File Reference Number: RFQ 2026 036

Title: Purchase of Track Bolts

RE: Clarifications/Questions

CLARIFICATIONS:

Item 1: Would ONTC please provide the following drawings:

1. CN Drawing TS-1320
2. CN Drawing TS-1301

Answer: Please see attached drawings.

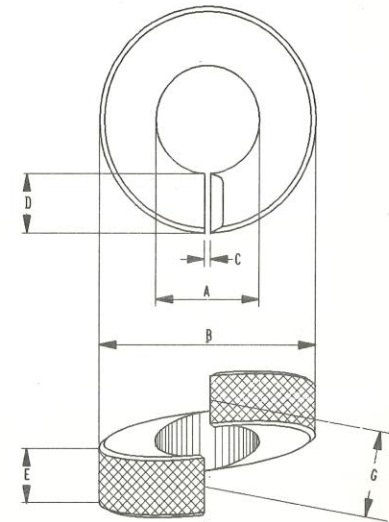
This Addendum hereby forms part of the RFP.

Regards,

Nicole Laplante
Procurement Contracts Specialist
nicole.laplante@ontarionorthland.ca

AVAILABLE IN METRIC

STOCK NUMBER		NOMINAL BOLT DIAMETER										
NEW	P. W.		MIN.	A	MAX.	MIN.	B	MAX.	C	D	E	G
01-01-484	01-01-494	3/4	25/32	13/16		15/8	1/16	13/32	7/16	7/16	7/16	185
01-01-385	01-01-495	7/8	29/32	15/16		13/4	1/16	13/32	7/16	7/16	7/16	195
01-01-278	01-01-496	1	11/32	11/16		27/32	1/16	1/2	17/32	5/8	5/8	340
01-01-288	01-01-332	† 11/16	13/32	11/8		29/32	1/16	1/2	17/32	5/8	5/8	355
01-01-289	01-01-290	11/8	15/32	13/16		21/4	1/16	17/32	17/32	5/8	5/8	400
01-01-280	01-01-405	11/4	13/32	15/16		23/8	1/16	17/32	17/32	5/8	5/8	425
01-01-281	01-01-408	13/8	19/32	17/16		21/2	1/16	17/32	17/32	17/32	17/32	455
01-01-795		† 11/4	13/32			23/32		5/16	17/32			
01-01-796		† 13/8	13/32			27/32		5/16	17/32			



NOTES:

- 1- ALL DIMENSIONS ARE IN INCHES
- 2- THIS DRAWING SUPERSEDES DRAWING DATED 30 SEPT. 1974 WITH REVISION *3 DATED SEP.'77.

SPECIFICATIONS:

SPRING WASHERS FOR 3/4 TO 1- 3/8 DIAMETER BOLTS SHALL BE IN ACCORDANCE WITH THE CURRENT A. R. E. A. *SPECIFICATIONS FOR SPRING WASHERS * (MANUAL, CHAPTER 4, PART 23).

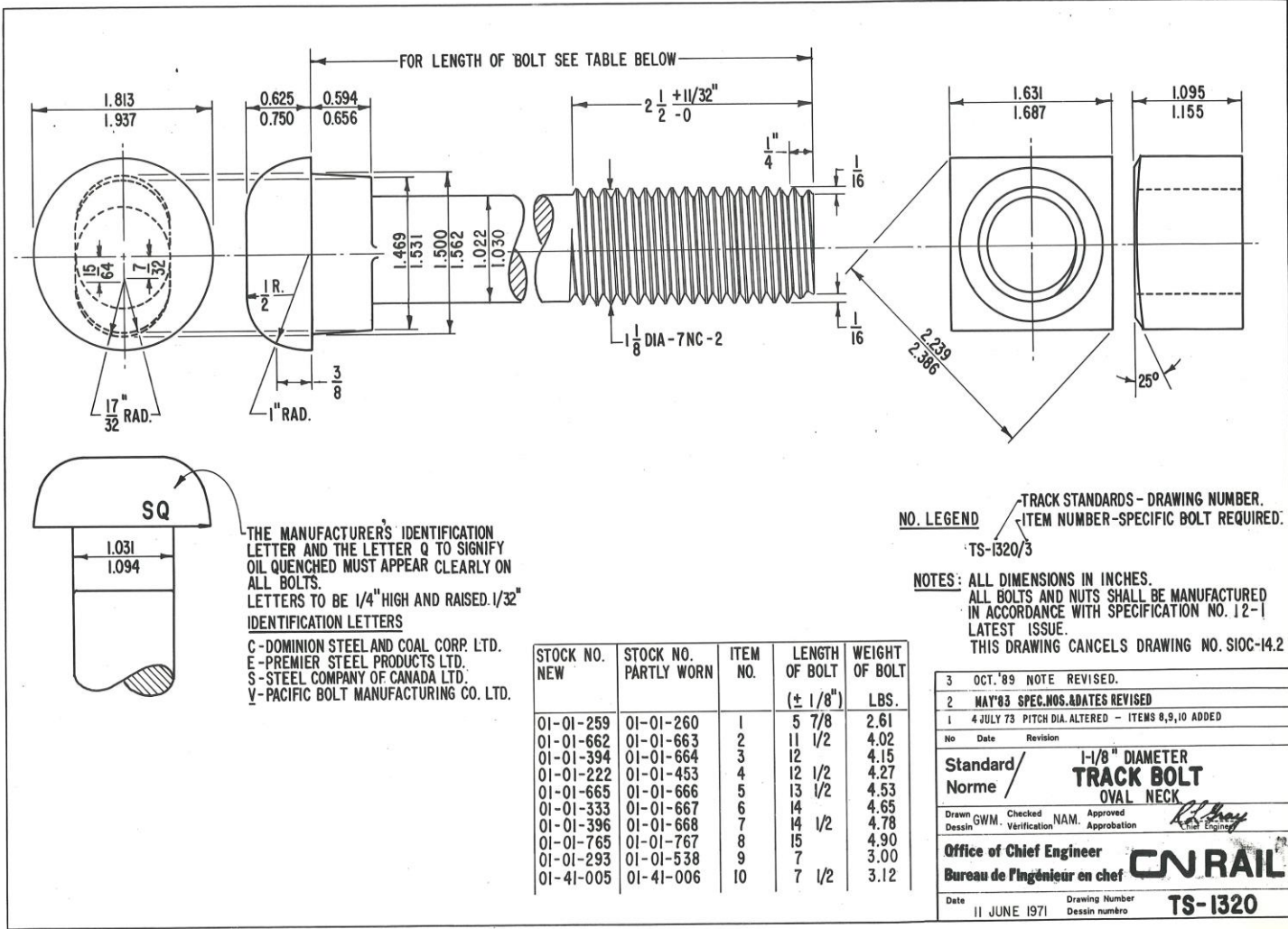
† SPRING WASHERS SHALL COMPLY WITH CURRENT A. R. E. A. SPECIFICATIONS [OUTLINED ABOVE]. REVISIONS AND ADDITIONS TO SAID SPECIFICATION SHALL COMPLY TO A. R. E. A. * SPECIFICATIONS FOR SPECIAL TRACKWORK , ARTICLE 15, SPRING WASHERS*.

* THE 11/16 BOLT AND WASHER ARE OBSOLETE AND INFORMATION SHOWN HERE IS FOR MAINTENANCE PURPOSES ONLY

1 AUG.'85 REVISED & TRANSFERRED TO CAD FORMAT			
Standard/ Norme		SPRING WASHERS	
Drawn Desain	RP	Checked Verification	Approved Approbation
		<i>[Signature]</i> Chief Engineer	
Office of Chief Engineer			
Bureau de l'Ingénieur en Chef		CN RAIL	
Date	SEPT.'74	Plan Number Desain numero	TS - 1301

DISPONIBLE EN FRANÇAIS

FILE: TS1301.W



THE MANUFACTURER'S IDENTIFICATION LETTER AND THE LETTER Q TO SIGNIFY OIL QUENCHED MUST APPEAR CLEARLY ON ALL BOLTS.
 LETTERS TO BE 1/4" HIGH AND RAISED 1/32"
 IDENTIFICATION LETTERS
 C - DOMINION STEEL AND COAL CORP. LTD.
 E - PREMIER STEEL PRODUCTS LTD.
 S - STEEL COMPANY OF CANADA LTD.
 V - PACIFIC BOLT MANUFACTURING CO. LTD.

STOCK NO. NEW	STOCK NO. PARTLY WORN	ITEM NO.	LENGTH OF BOLT (+ 1/8")	WEIGHT OF BOLT (LBS.)
01-01-259	01-01-260	1	5 7/8	2.61
01-01-662	01-01-663	2	11 1/2	4.02
01-01-394	01-01-664	3	12	4.15
01-01-222	01-01-453	4	12 1/2	4.27
01-01-665	01-01-666	5	13 1/2	4.53
01-01-333	01-01-667	6	14	4.65
01-01-396	01-01-668	7	14 1/2	4.78
01-01-765	01-01-767	8	15	4.90
01-01-293	01-01-538	9	7	3.00
01-41-005	01-41-006	10	7 1/2	3.12

NO. LEGEND TRACK STANDARDS - DRAWING NUMBER.
 ITEM NUMBER - SPECIFIC BOLT REQUIRED.
 TS-1320/3

NOTES: ALL DIMENSIONS IN INCHES.
 ALL BOLTS AND NUTS SHALL BE MANUFACTURED IN ACCORDANCE WITH SPECIFICATION NO. 12-1 LATEST ISSUE.
 THIS DRAWING CANCELS DRAWING NO. SIOC-14.2

3	OCT. '89	NOTE REVISED.
2	MAY '83	SPEC. NOS. & DATES REVISED
1	4 JULY 73	PITCH DIA. ALTERED - ITEMS 8,9,10 ADDED
No	Date	Revision
Standard / Norme		
1-1/8" DIAMETER TRACK BOLT OVAL NECK		
Drawn	Checked	Approved
Dessin	Vérification	Approbation
Office of Chief Engineer		
Bureau de l'ingénieur en chef		
Date	Drawing Number	TS-1320
11 JUNE 1971	Dessin numéro	